

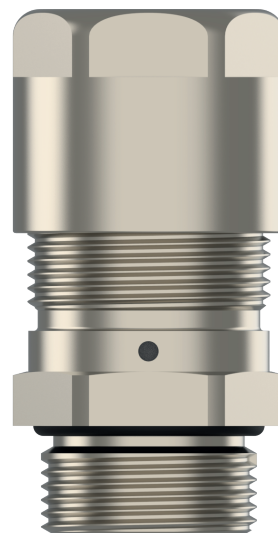
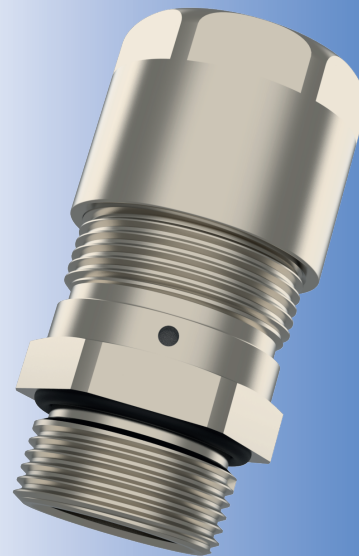
Ventilation Gland, Metal

General

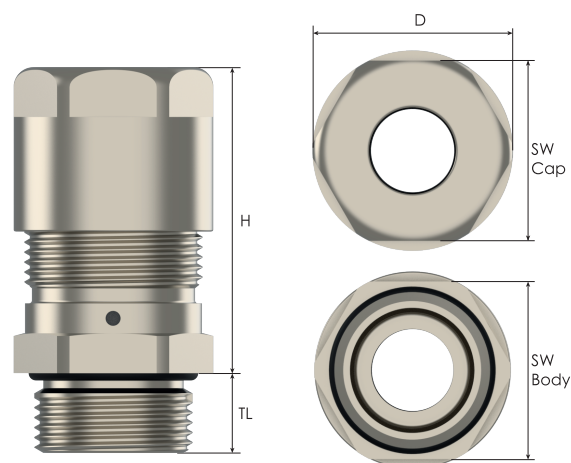
- Combines cable gland functionality with ventilation, providing secure cable retention and pressure equalization within enclosures.
- Offers the advantage of using a single enclosure entry hole for both cable connection and ventilation, saving space and simplifying design.
- Prevents the formation of water condensation in tightly-sealed standard housings and protects against damage caused by pressure differences.
- Provides effective sealing to block ingress of water, dust and contaminants.
- Extends the service life of equipment by relieving pressure that would otherwise degrade enclosure gaskets over time.
- Manufactured from high-quality, durable materials for long service life.
- Suitable for indoor, outdoor, and harsh industrial environments

Technical Details

	Body, Cap	Brass, Brass Nickel Plated
Material	Seal	Neoprene (Chloroprene)
	O-ring	Neoprene (Chloroprene)
	Membrane	PTFE / Acrylic Co-Polymer
Ingress Protection Rating		IP69, IP68, IP66
Temperature Range		-40 °C to +100 °C
Thread Type		Metric, PG, NPT
Cable Type		Non-Armoured
Accessories		<ul style="list-style-type: none"> ▪ Locknut ▪ Dome plug ▪ Gaskets
Remarks		<ul style="list-style-type: none"> ▪ Accessories must be ordered separately



Ventilation Gland, Metal



Thread Type METRIC acc. to EN 60423									
Outer Thread Size (Male)	Clamping Range Ø min - max mm	Average Air Flow for $\Delta P = 70$ mbar/1 psi l/h	Water Intrusion bar	Outer Thread Length TL mm	Spanner Width		Outer Ø D mm	max. Height H mm	Part Number
					SW Cap mm	SW Body mm			
M12x1,5	4,0 - 8,0	70,0	0,2	8,0	18	18	20,0	33,0	HBMBCVG-0S
M16x1,5	4,0 - 8,0	70,0	0,2	8,0	18	18	20,0	33,0	HBMBCVG-01
M16x1,5	5,0 - 10,0	70,0	0,2	8,0	20	20	22,0	35,5	HBMBCVG-01L
M20x1,5	6,0 - 12,0	120,0	0,2	8,0	22	22	24,0	38,5	HBMBCVG-02

Thread Type NPT acc. to ANSI B1.20.1									
Outer Thread Size (Male)	Clamping Range Ø min - max mm	Average Air Flow for $\Delta P = 70$ mbar/1 psi l/h	Water Intrusion bar	Outer Thread Length TL mm	Spanner Width		Outer Ø D mm	max. Height H mm	Part Number
					SW Cap mm	SW Body mm			
NPT 3/8"	4,0 - 8,0	70,0	0,2	11,5	18	19	21,0	33,0	HBNBCVG-0S
NPT 3/8"	5,0 - 10,0	70,0	0,2	11,5	20	20	22,0	35,5	HBNBCVG-01
NPT 1/2"	6,0 - 12,0	120,0	0,2	13,0	22	24	26,5	38,5	HBNBCVG-01L

Thread Type PG acc. to EN 40430									
Outer Thread Size (Male)	Clamping Range Ø min - max mm	Average Air Flow for $\Delta P = 70$ mbar/1 psi l/h	Water Intrusion bar	Outer Thread Length TL mm	Spanner Width		Outer Ø D mm	max. Height H mm	Part Number
					SW Cap mm	SW Body mm			
PG 7	4,0 - 8,0	70,0	0,2	8,0	18	18	20,0	33,0	HBSBCVG-01
PG 9	4,0 - 8,0	70,0	0,2	8,0	18	18	20,0	33,0	HBSBCVG-02
PG 11	5,0 - 10,0	70,0	0,2	8,0	20	20	22,0	35,5	HBSBCVG-03
PG 13,5	6,0 - 12,0	120,0	0,2	8,0	22	22	24,0	38,5	HBSBCVG-04